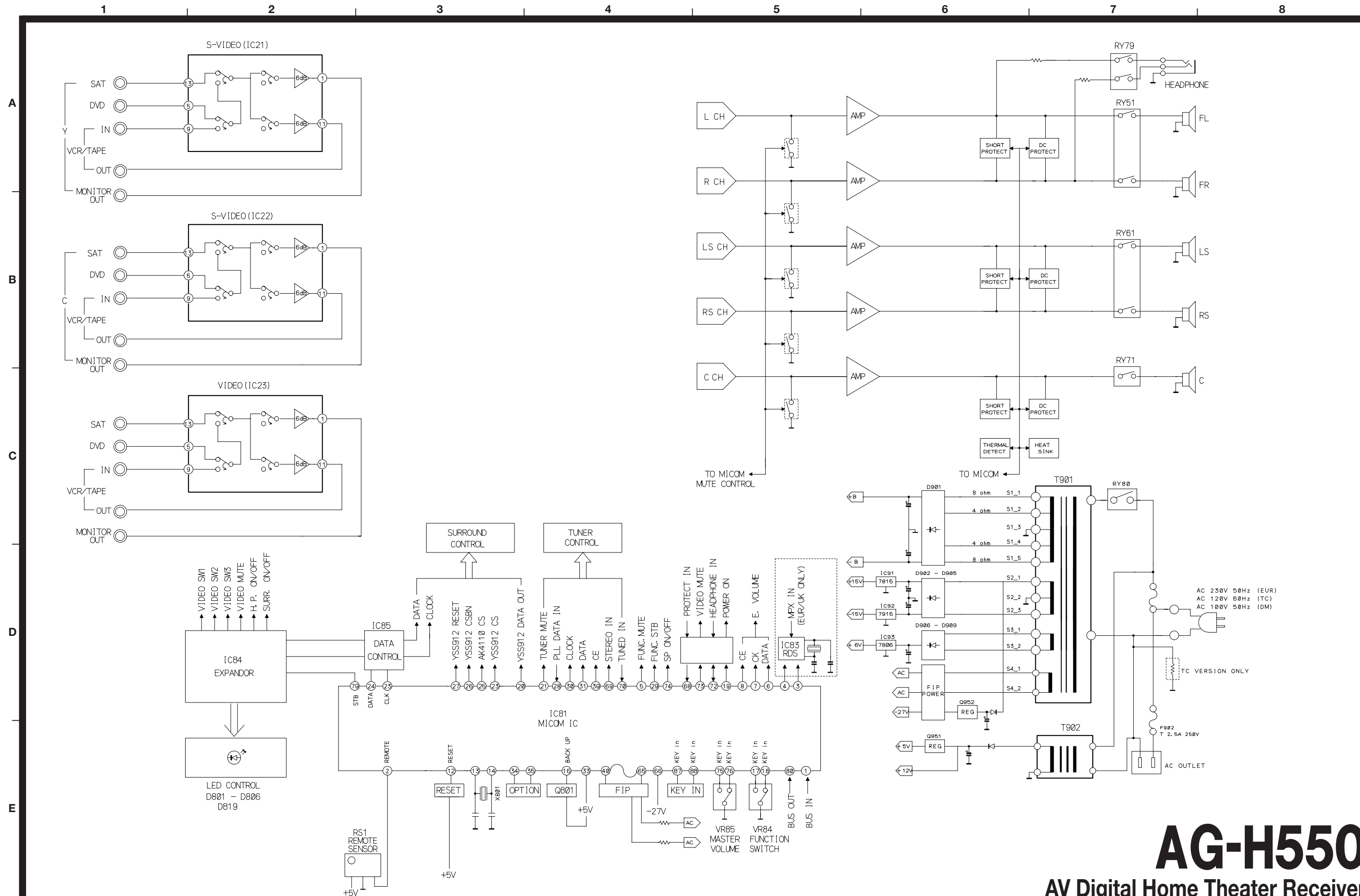


TEAC BLOCK DIAGRAM AG-H550

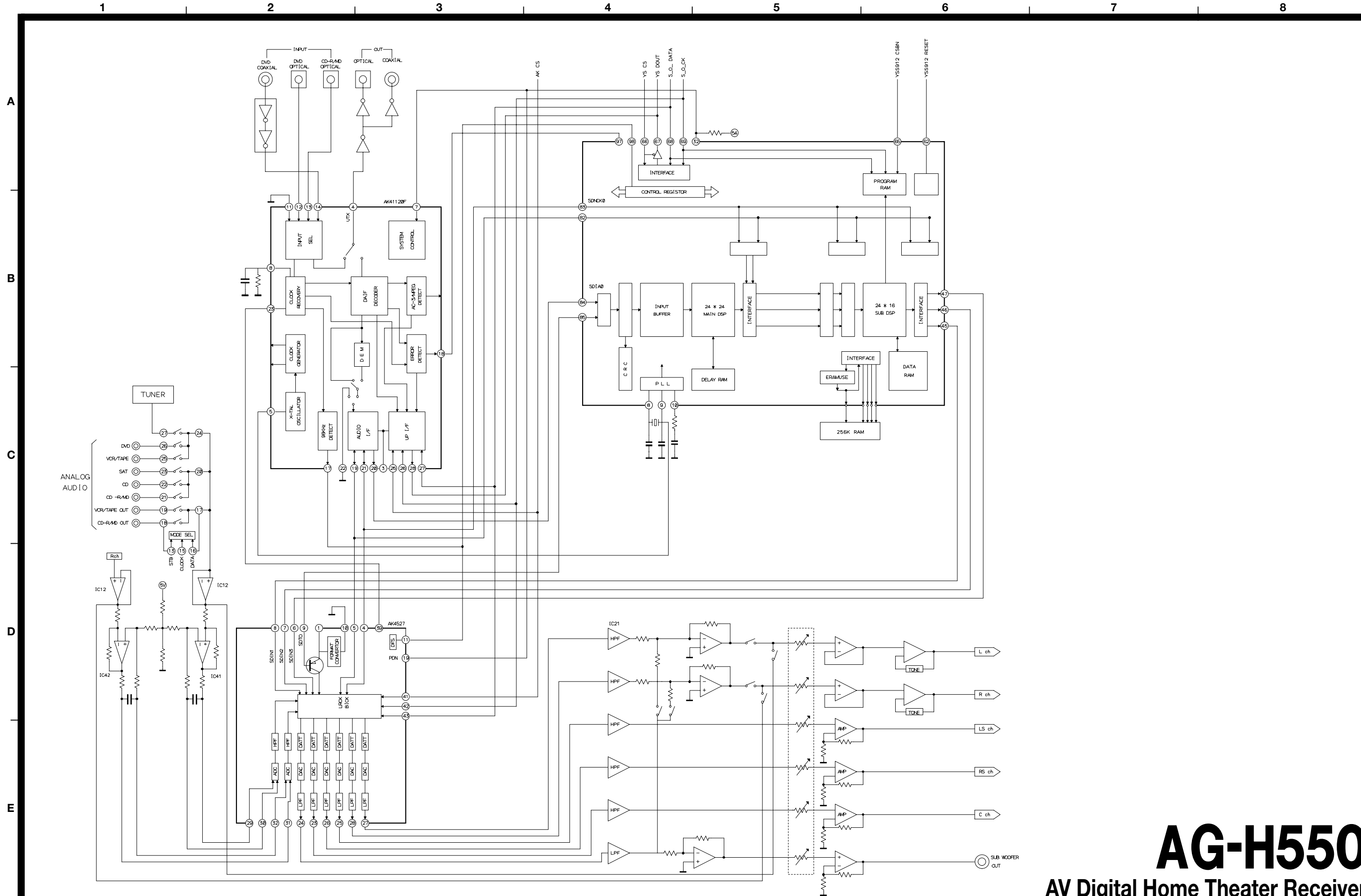


AG-H550

AV Digital Home Theater Receiver

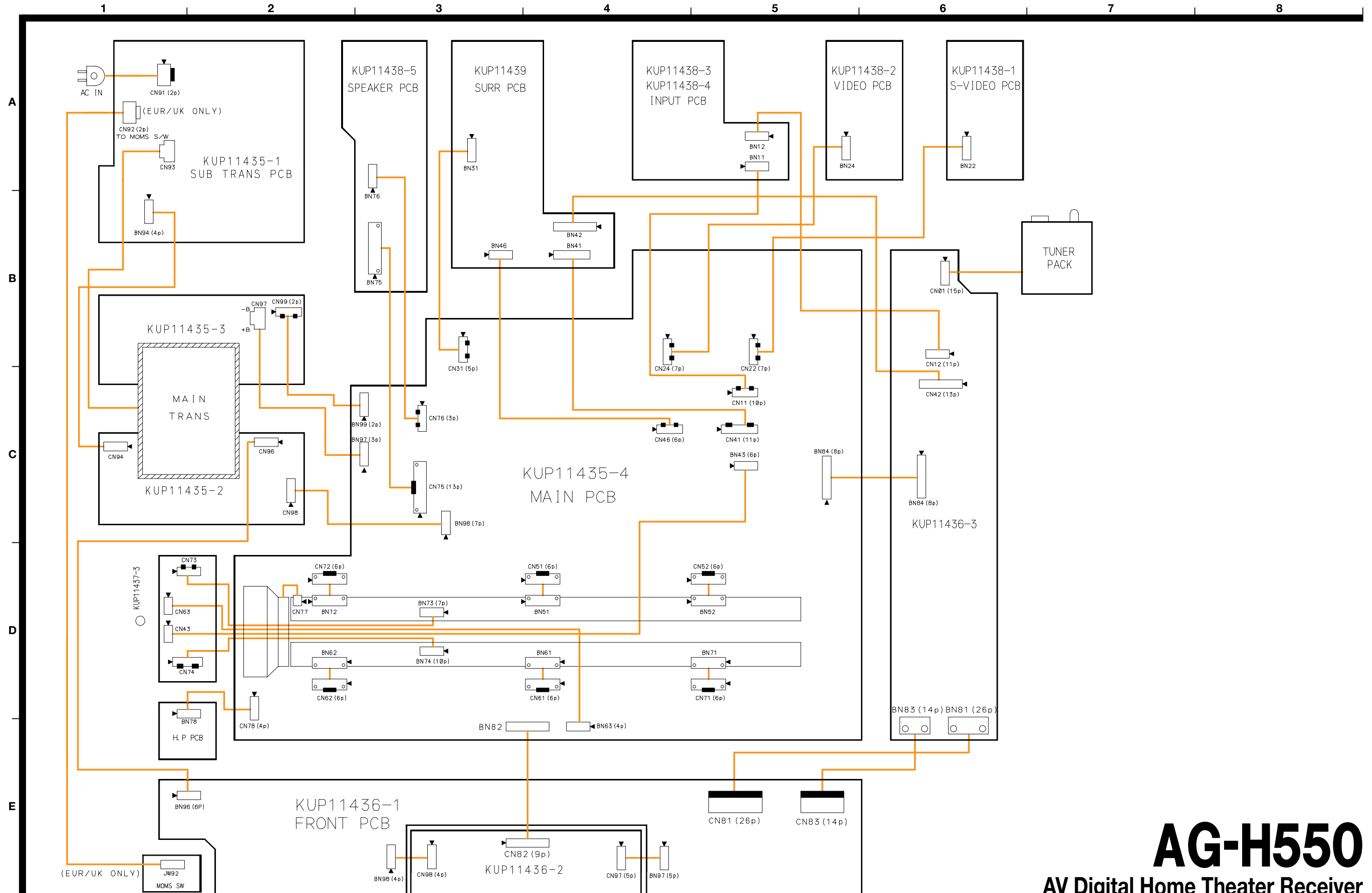
1st Issue; September 2001

TEAC BLOCK DIAGRAM AG-H550

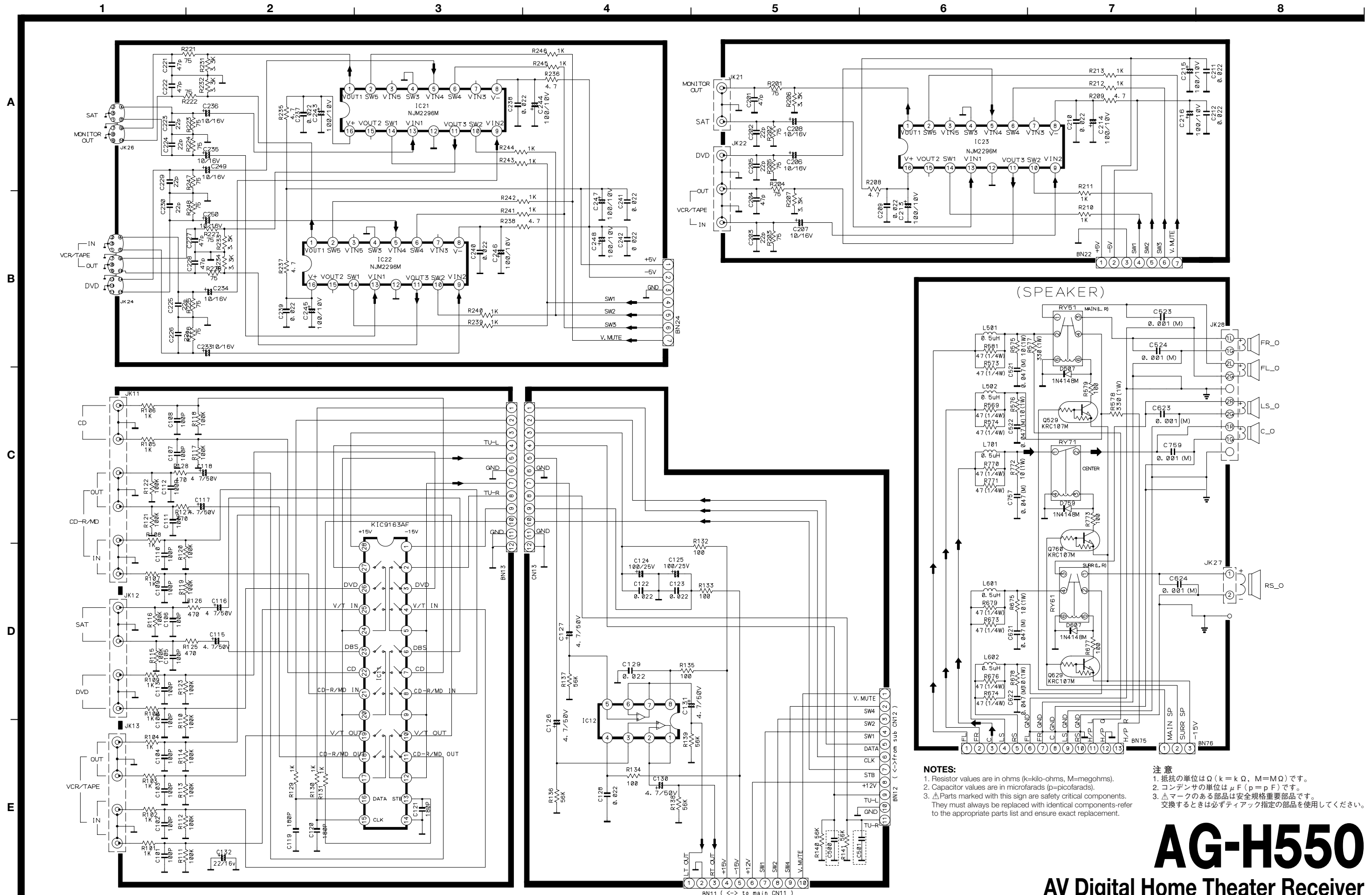


AG-H550
 AV Digital Home Theater Receiver
 1st Issue; September 2001

TEAC WIRING DIAGRAM AG-H550



TEAC SCHEMATIC DIAGRAM AG-H550 AUDIO, VIDEO, S-VIDEO & SPEAKER CIRCUIT



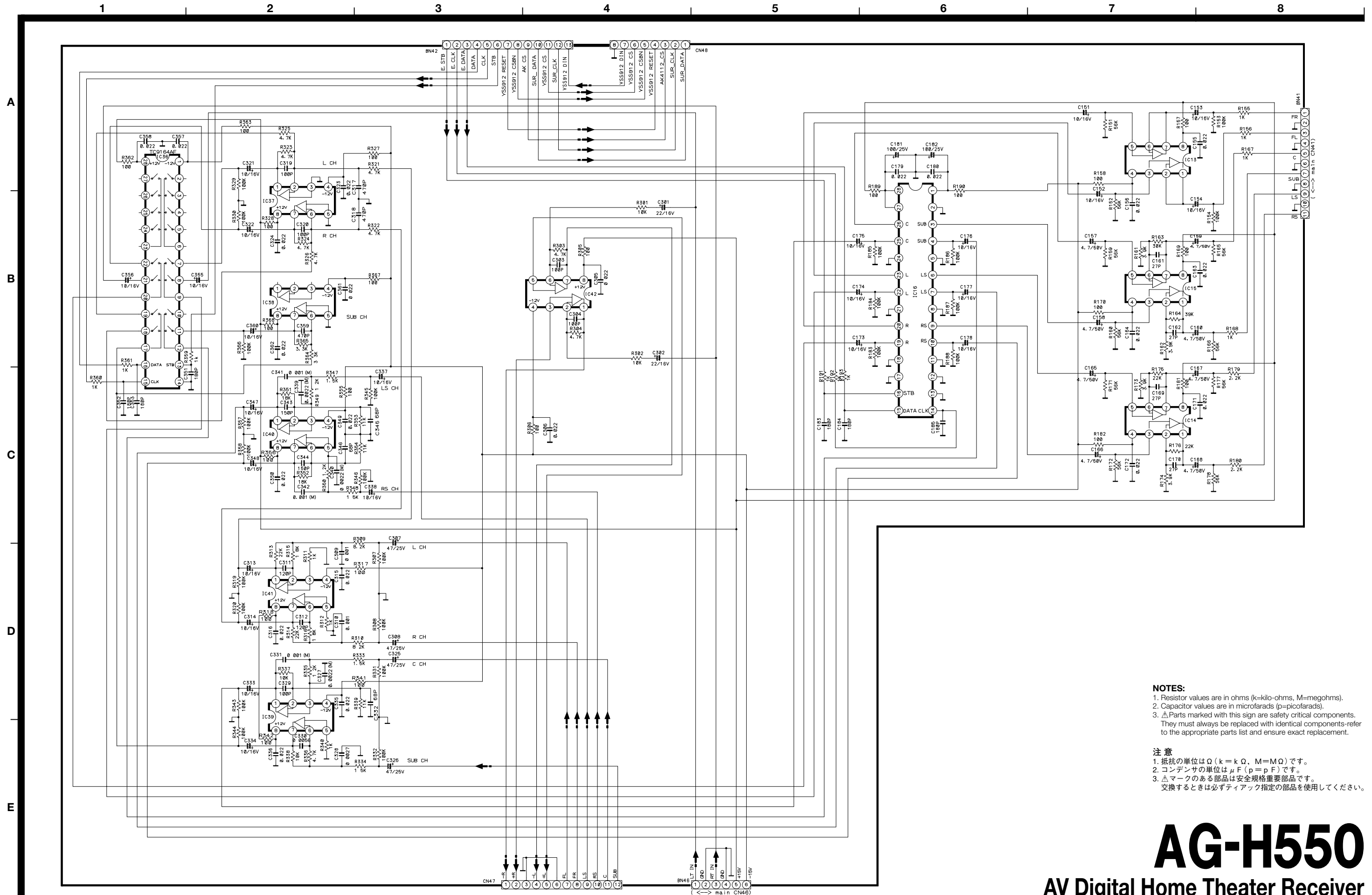
- NOTES:**
1. Resistor values are in ohms (k=kilo-ohms, M=megohms).
 2. Capacitor values are in microfarads (p=picofarads).
 3. Δ Parts marked with this sign are safety critical components. They must always be replaced with identical components-refer to the appropriate parts list and ensure exact replacement.
- 注意**
1. 抵抗の単位は Ω (k = k Ω , M = M Ω) です。
 2. コンデンサの単位は μF (p = p F) です。
 3. Δ マークのある部品は安全規格重要部品です。交換するときは必ずティアック指定の部品を使用してください。

AG-H550

AV Digital Home Theater Receiver

1st Issue; September 2001

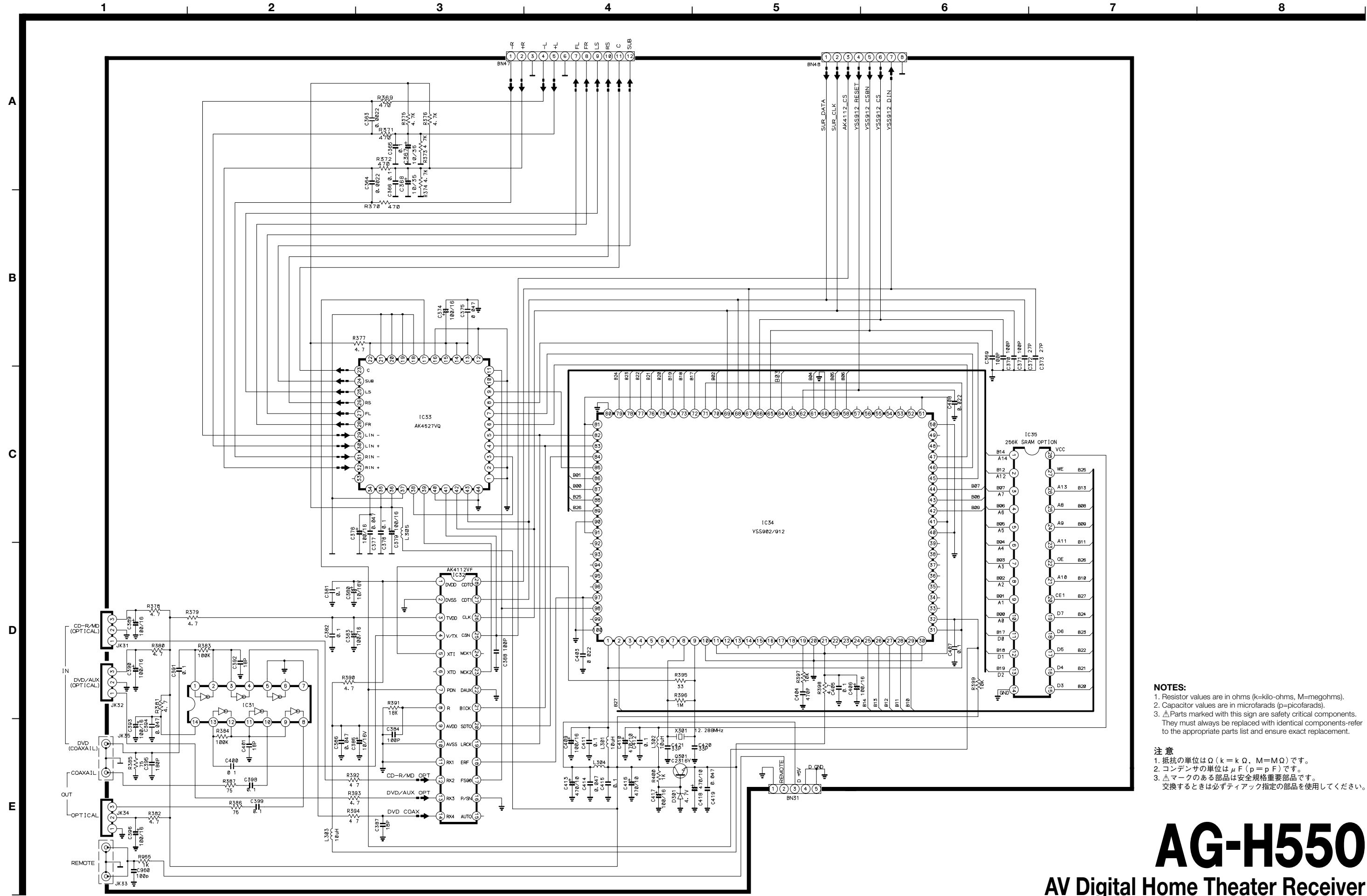
TEAC SCHEMATIC DIAGRAM AG-H550 SURROUND CIRCUIT



NOTES:
 1. Resistor values are in ohms (k=kilo-ohms, M=megohms).
 2. Capacitor values are in microfarads (μ=picofarads).
 3. △Parts marked with this sign are safety critical components. They must always be replaced with identical components—refer to the appropriate parts list and ensure exact replacement.

注意
 1. 抵抗の単位はΩ (k = kΩ, M = MΩ) です。
 2. コンデンサの単位はμF (p = pF) です。
 3. △マークのある部品は安全規格重要部品です。交換するときは必ずティアック指定の部品を使用してください。

TEAC SCHEMATIC DIAGRAM AG-H550 SURROUND CIRCUIT



NOTES:
 1. Resistor values are in ohms (k=kilo-ohms, M=megohms).
 2. Capacitor values are in microfarads (μ=picofarads).
 3. △Parts marked with this sign are safety critical components. They must always be replaced with identical components-refer to the appropriate parts list and ensure exact replacement.

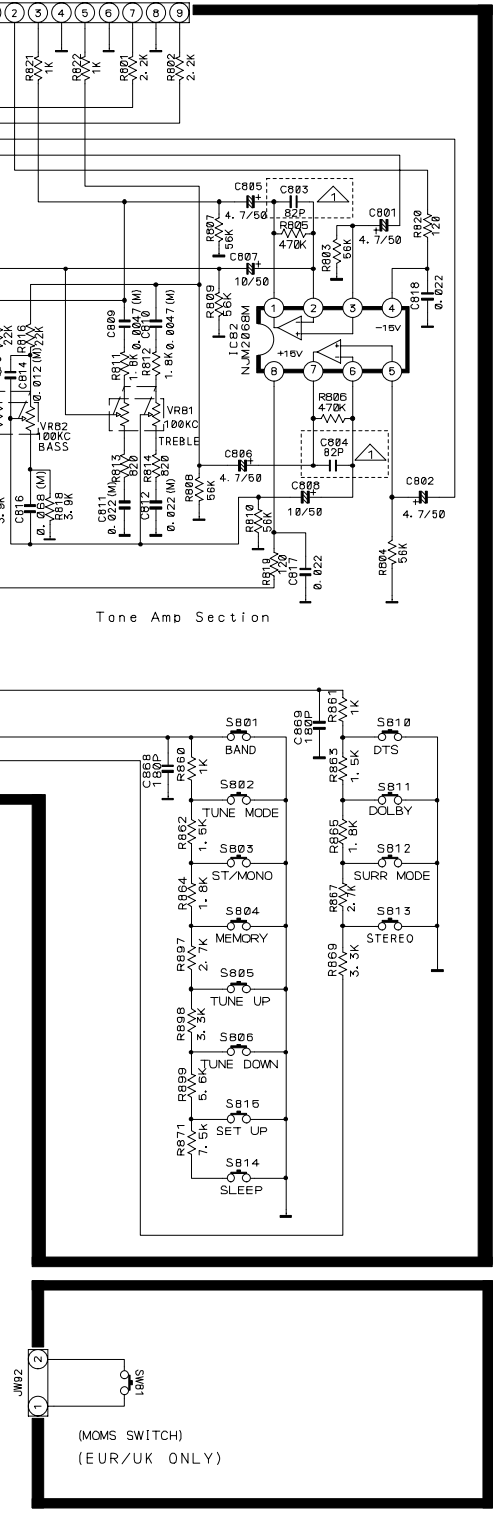
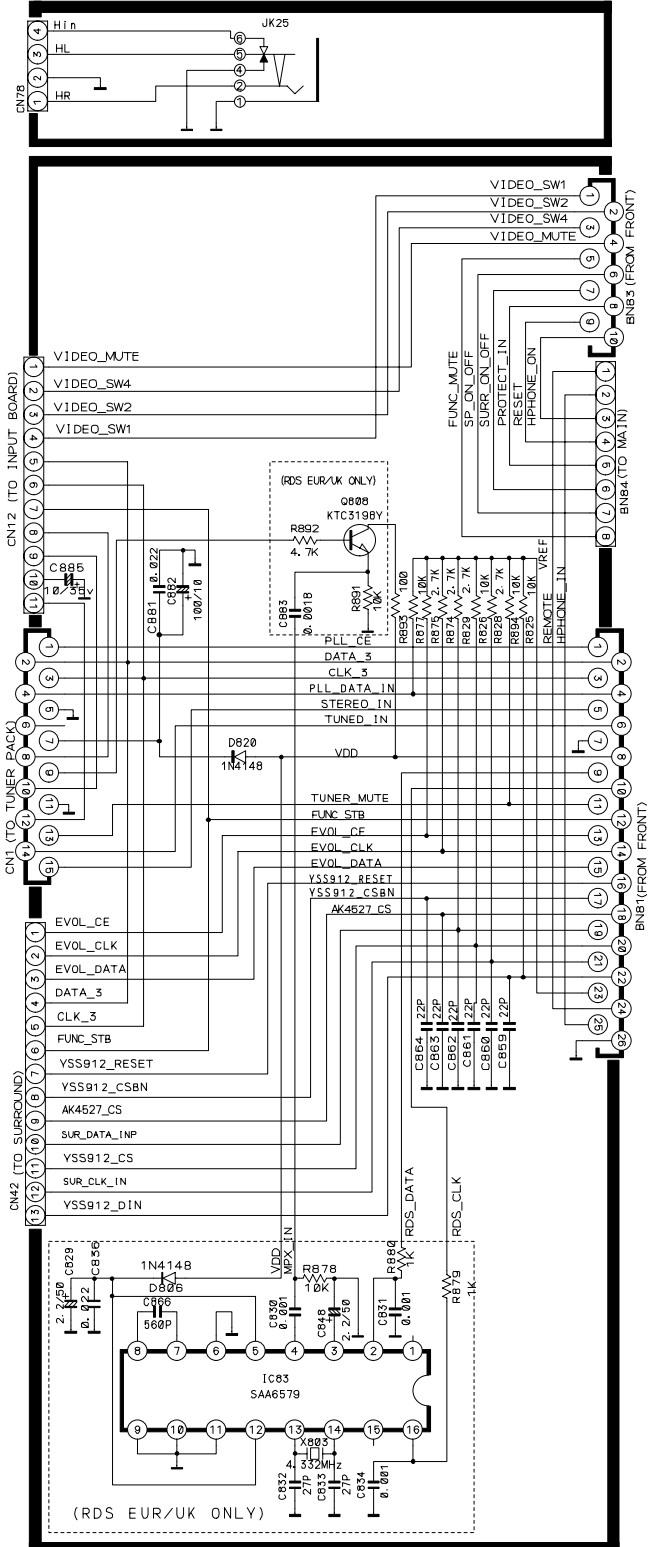
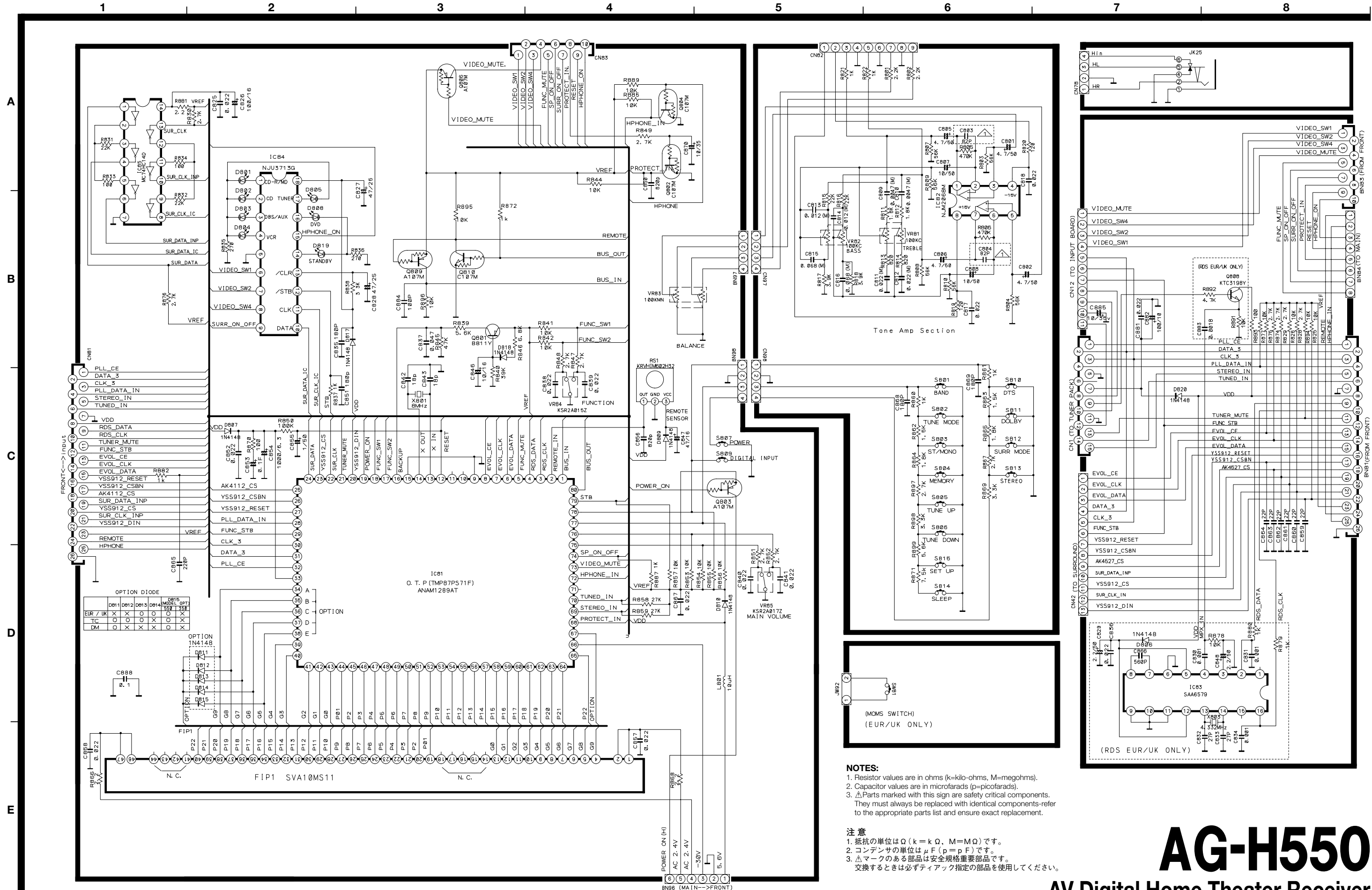
注意
 1. 抵抗の単位はΩ (k=kΩ, M=MΩ) です。
 2. コンデンサの単位はμF (p=pF) です。
 3. △マークのある部品は安全規格重要部品です。交換するときは必ずテック指定の部品を使用してください。

AG-H550

AV Digital Home Theater Receiver

1st Issue; September 2001

TEAC SCHEMATIC DIAGRAM AG-H550 μ -COM, TONE & GUIDE CIRCUIT



OPTION DIODE

	D811	D812	D813	D814	D815	MODEL	OPT7
ELR / UK	X	X	O	O	X	O	X
TC	O	O	X	X	O	O	X
DM	O	X	X	X	O	O	X

- NOTES:**
1. Resistor values are in ohms (k=kilo-ohms, M=megohms).
 2. Capacitor values are in microfarads (μ =microfarads).
 3. Δ Parts marked with this sign are safety critical components. They must always be replaced with identical components-refer to the appropriate parts list and ensure exact replacement.

注意

1. 抵抗の単位は Ω (k=k Ω , M=M Ω)です。
2. コンデンサの単位は μ F (μ = μ F)です。
3. Δ マークのある部品は安全規格重要部品です。交換するときは必ずテック指定の部品を使用してください。

AG-H550

AV Digital Home Theater Receiver

1st Issue; September 2001

TEAC SCHEMATIC DIAGRAM AG-H550 AMP CIRCUIT

1 2 3 4 5 6 7 8

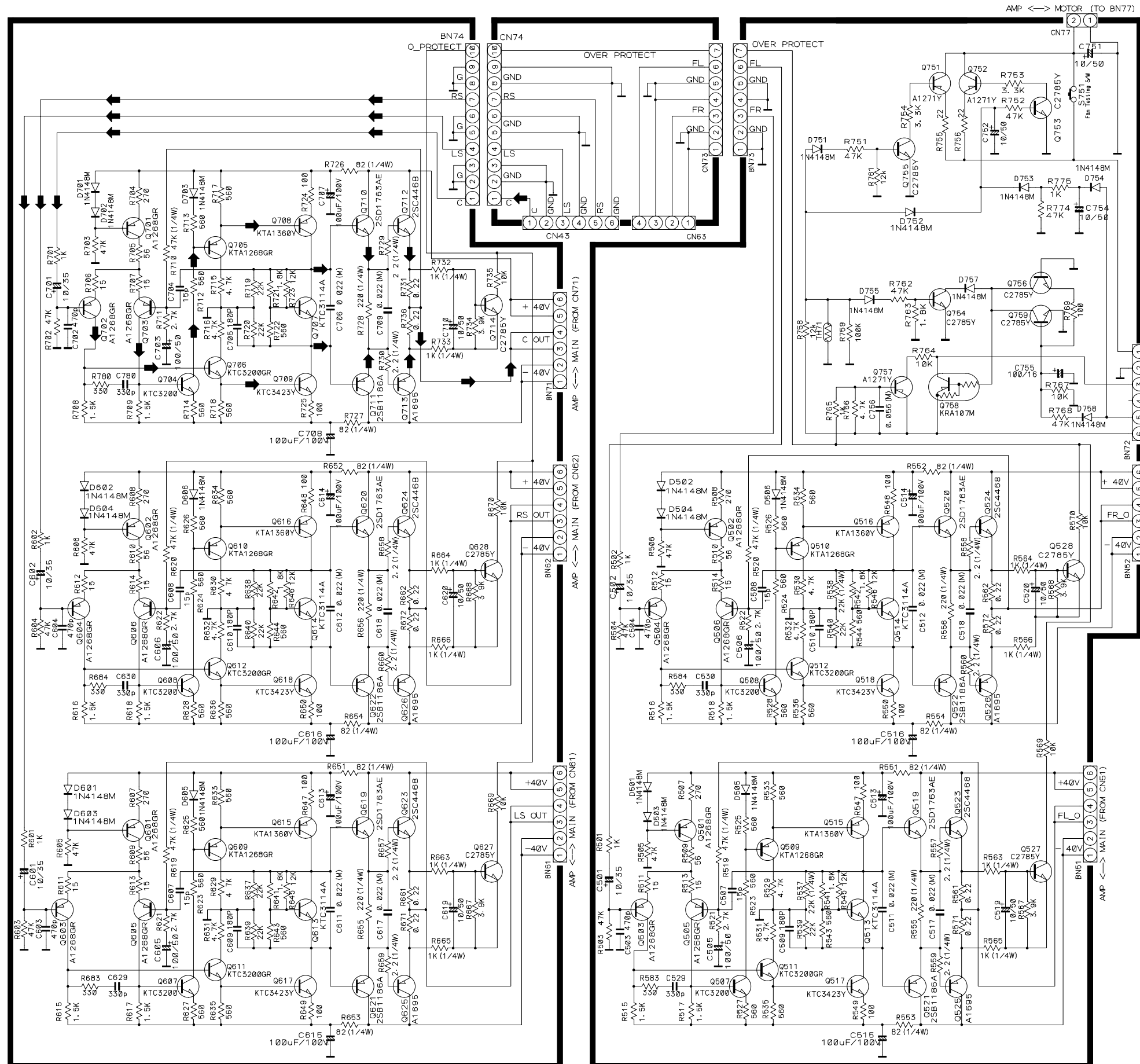
A

B

C

D

E



- NOTES:**
1. Resistor values are in ohms (k=kilo-ohms, M=megohms).
 2. Capacitor values are in microfarads (μ=pico-farads).
 3. △Parts marked with this sign are safety critical components. They must always be replaced with identical components—refer to the appropriate parts list and ensure exact replacement.

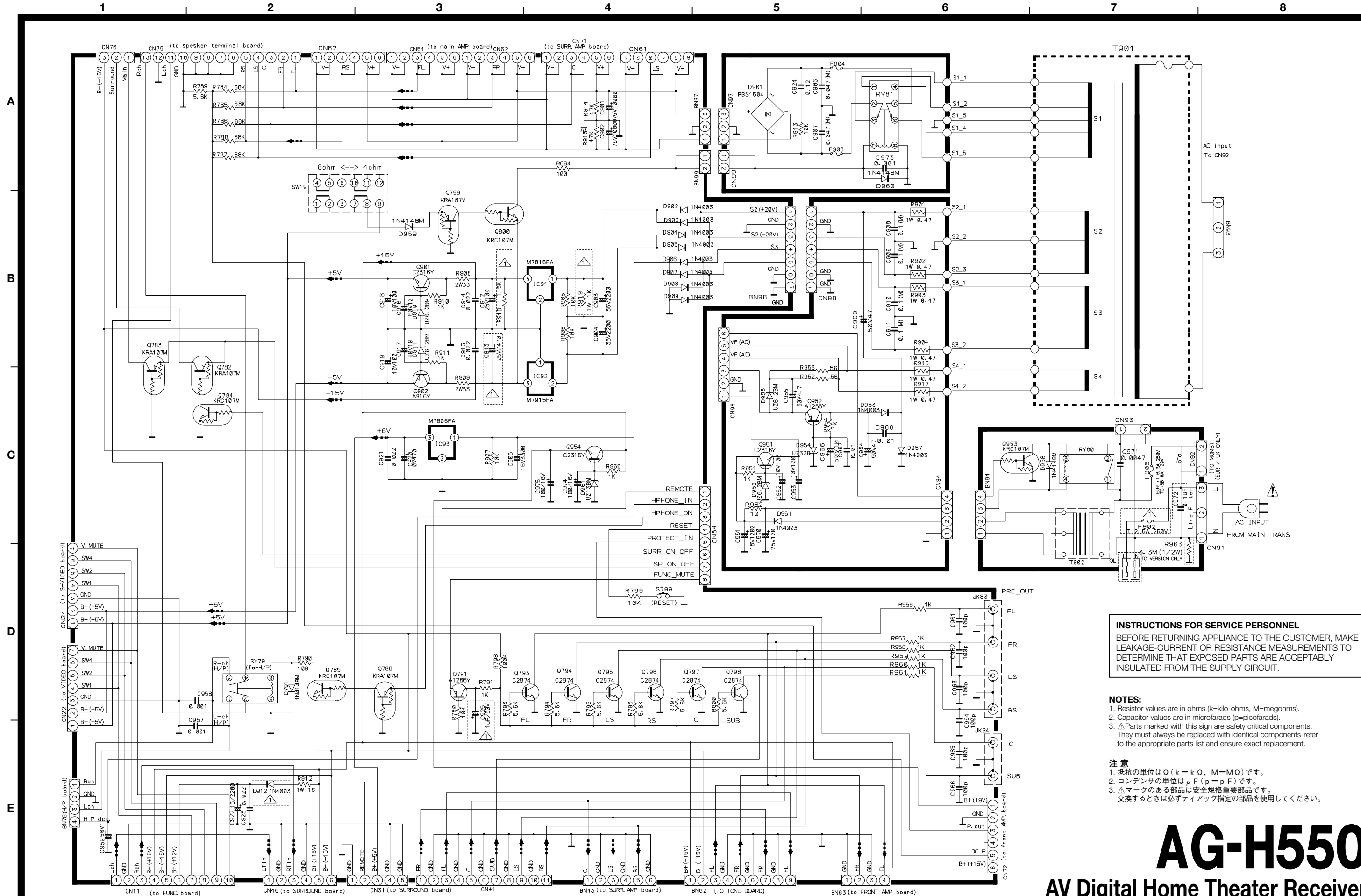
- 注意**
1. 抵抗の単位はΩ (k=kΩ, M=MΩ) です。
 2. コンデンサの単位はμF (p=pF) です。
 3. △マークのある部品は安全規格重要部品です。交換するときは必ずテック指定の部品を使用してください。

AG-H550

AV Digital Home Theater Receiver

1st Issue; September 2001

TEAC SCHEMATIC DIAGRAM AG-H550 MAIN CIRCUIT



INSTRUCTIONS FOR SERVICE PERSONNEL
 BEFORE RETURNING APPLIANCE TO THE CUSTOMER, MAKE LEAKAGE-CURRENT OR RESISTANCE MEASUREMENTS TO DETERMINE THAT EXPOSED PARTS ARE ACCEPTABLY INSULATED FROM THE SUPPLY CIRCUIT.

- NOTES:**
1. Resistor values are in ohms (k=kilo-ohms, M=megohms).
 2. Capacitor values are in microfarads (p=picofarads).
 3. Δ Parts marked with this sign are safety critical components. They must always be replaced with identical components-refer to the appropriate parts list and ensure exact replacement.

注意
 1. 抵抗の単位は Ω (k = k Ω , M = M Ω) です。
 2. コンデンサの単位は μF (p = p F) です。
 3. Δ マークのある部品は安全規格重要部品です。交換するときは必ずディック指定の部品を使用してください。

AG-H550

AV Digital Home Theater Receiver

1st Issue; September 2001